



AWAYWASH

Concrete Washout System

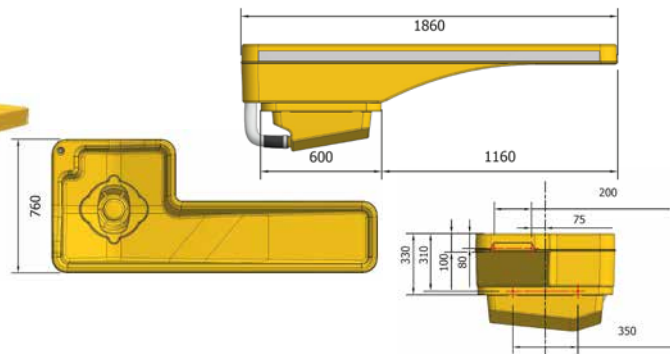
Lifetime Warranty*



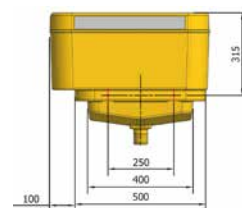
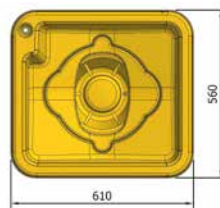
AWAYWASH is the first on-board polyethylene system for ready-mix concrete truck chute washout. This patented design allows to wash the chute in compliance with environmental requirements while avoiding risks of contamination and penalties/fines. The product is light, sturdy and easy to maintain as concrete does not adhere to it.



Part #: **N7330-6KIT**
Weight: 21.5kg



Part #: **N7330-2KIT**
Weight: 11kg



Comes with easy access filter to keep gravel and large debris away from AWAYWASH container.

Scan for demonstration video. Or go to nuline.ca ... choose "Products" then choose AWAYWASH



* Limited lifetime product warranty excluding hose. Warranty is non-transferable and applies to installation on one vehicle. Contact Nu-Line for details.

Nu-Line Products Inc.

891 Arvin Avenue, Stoney Creek, ON L8E 5N9
www.nuline.ca

Phone Toll Free: 866-837-2082 • Fax: (905) 643-5380

 A Marmon Highway Technologies®/Berkshire Hathaway Company