

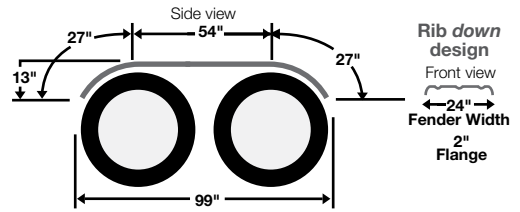
## Tanker Fenders

### Rear Fenders



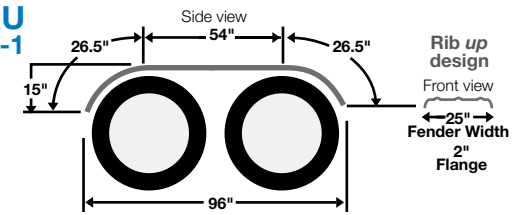
Pair Part #: **NF99A**  
 Single Part #: **NF99A-1**

- ◆ .090" aluminum fender(s)
- ◆ 108" overall length
- ◆ 24" width
- ◆ Weight: 52 lbs (pair)



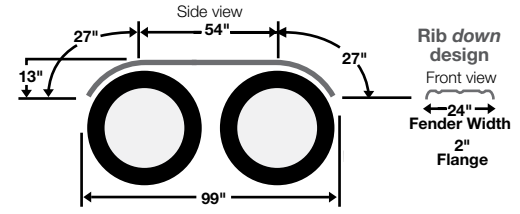
Pair Part #: **NF96ARU**  
 Single Part #: **NF96ARU-1**

- ◆ .090" aluminum fender(s)
- ◆ 108" overall length
- ◆ 25" width
- ◆ Weight: 52 lbs (pair)



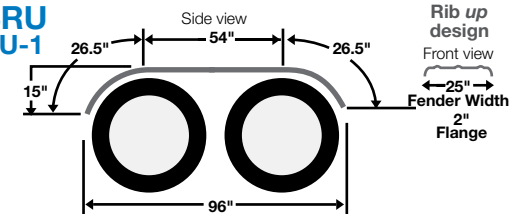
Pair Part #: **NF99SS**  
 Single Part #: **NF99SS-1**

- ◆ 16 gauge stainless steel fender(s)
- ◆ 108" overall length
- ◆ 24" width
- ◆ Weight: 94 lbs (pair)



Pair Part #: **NF96SSRU**  
 Single Part #: **NF96SSRU-1**

- ◆ 16 gauge stainless steel fender(s)
- ◆ 108" overall length
- ◆ 25" width
- ◆ Weight: 94 lbs (pair)

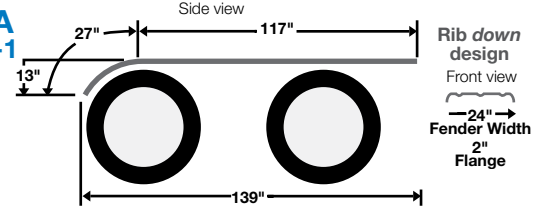


### Front Fenders



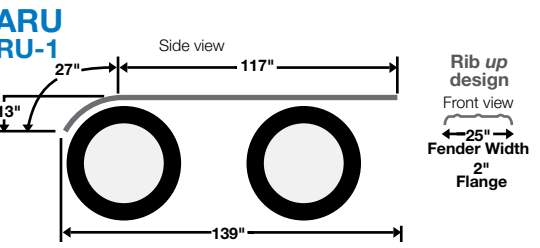
Pair Part #: **NF139A**  
 Single Part #: **NF139A-1**

- ◆ .090" aluminum fender(s)
- ◆ 144" overall length
- ◆ 24" width
- ◆ Weight: 68 lbs (pair)



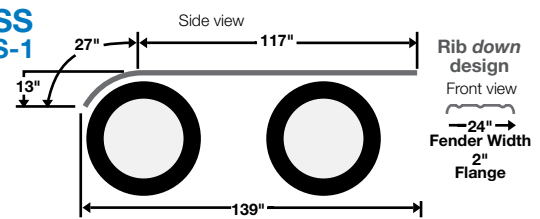
Pair Part #: **NF139ARU**  
 Single Part #: **NF139ARU-1**

- ◆ .090" aluminum fender(s)
- ◆ 144" overall length
- ◆ 25" width
- ◆ Weight: 68 lbs (pair)



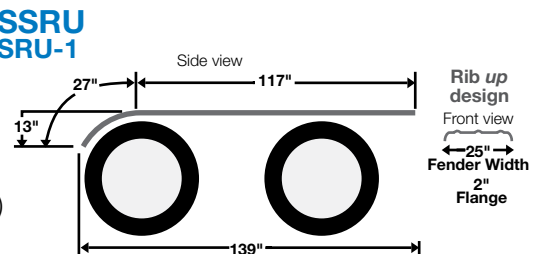
Pair Part #: **NF139SS**  
 Single Part #: **NF139SS-1**

- ◆ 16 gauge stainless steel fender(s)
- ◆ 144" overall length
- ◆ 24" width
- ◆ Weight: 126 lbs (pair)



Pair Part #: **NF139SSRU**  
 Single Part #: **NF139SSRU-1**

- ◆ 16 gauge stainless steel fender(s)
- ◆ 144" overall length
- ◆ 25" width
- ◆ Weight: 126 lbs (pair)



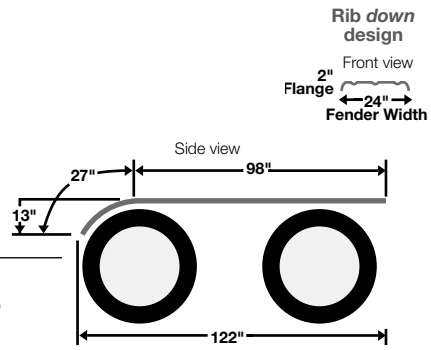
# Tanker Fenders

## Half Tandem Flanged 3 Rib



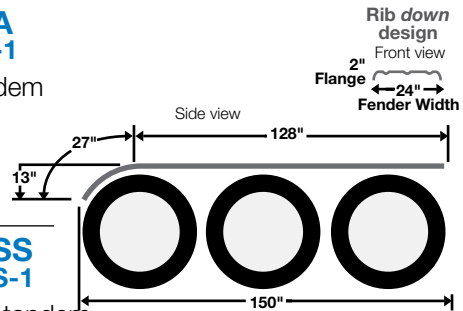
- ALUMINUM**
- Pair Part #: **NF122A**  
Single Part #: **NF122A-1**
- ◆ .090" aluminum fender(s)
  - ◆ 125" overall length
  - ◆ 24" width
  - ◆ Weight: 60 lbs (pair)

- STAINLESS STEEL**
- Pair Part #: **NF122SS**  
Single Part #: **NF122SS-1**
- ◆ 16 gauge stainless steel fender(s)
  - ◆ 125" overall length
  - ◆ 24" width
  - ◆ Weight: 110 lbs (pair)



- ALUMINUM**
- Pair Part #: **NF150A**  
Single Part #: **NF150A-1**
- ◆ .090" tri-axle half tandem aluminum fender(s)
  - ◆ 155" overall length
  - ◆ 24" width
  - ◆ Weight: 74 lbs (pair)

- STAINLESS STEEL**
- Pair Part #: **NF150SS**  
Single Part #: **NF150SS-1**
- ◆ 16 gauge tri-axle half tandem stainless steel fender(s)
  - ◆ 155" overall length
  - ◆ 24" width
  - ◆ Weight: 136 lbs (pair)



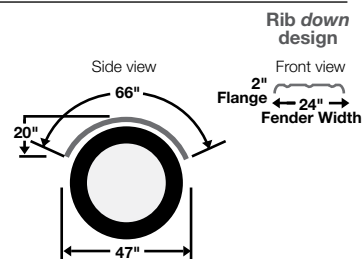
**Also available:**  
NF66A (Aluminum)  
NF125A (Aluminum)  
NF125SS (Stainless Steel)

## Single Axle Flanged 3 Rib



- ALUMINUM**
- Pair Part #: **NF166A**  
Single Part #: **NF166A-1**
- ◆ .090" aluminum fender(s)
  - ◆ 66" overall length
  - ◆ 24" width
  - ◆ Weight: 32 lbs (pair)

- STAINLESS STEEL**
- Pair Part #: **NF166SS**  
Single Part #: **NF166SS-1**
- ◆ 16 gauge stainless steel fender(s)
  - ◆ 66" overall length
  - ◆ 24" width
  - ◆ Weight: 60 lbs (pair)



**Also available:**  
NF155SS

## Super Single Tanker Fenders



- ALUMINUM**
- Pair Part #: **NF139A-19**  
Single Part #: **NF139A-19-1**
- ◆ .090" aluminum fender(s)
  - ◆ 144" overall length
  - ◆ 19" width
  - ◆ Weight: 55 lbs (pair)

- ALUMINUM**
- Pair Part #: **NF99A-19**  
Single Part #: **NF99A-19-1**
- ◆ .090" aluminum fender(s)
  - ◆ 108" overall length
  - ◆ 19" width
  - ◆ Weight: 41 lbs (pair)

